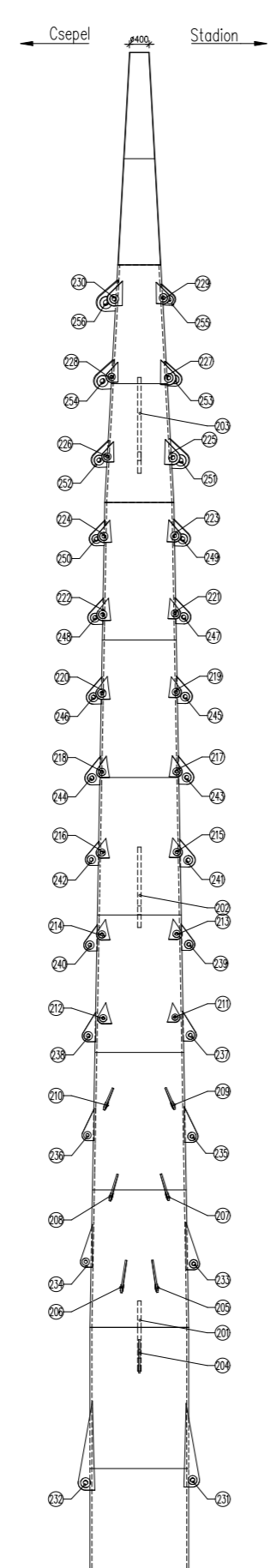
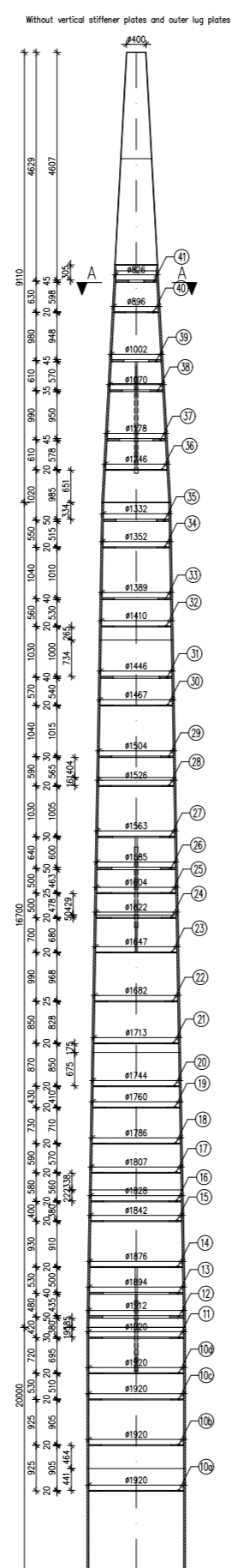


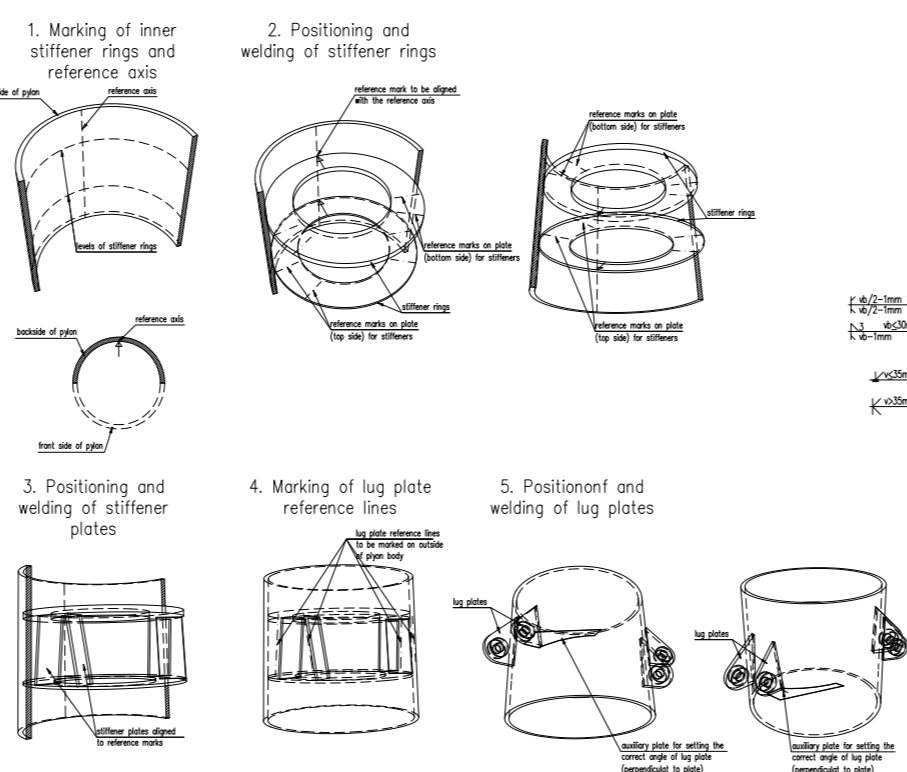
▼ SIDE VIEW OF THE PYLON



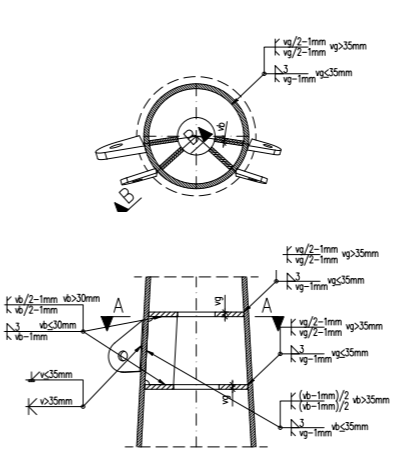
▼ STIFFENER RINGS INSIDE THE PYLON



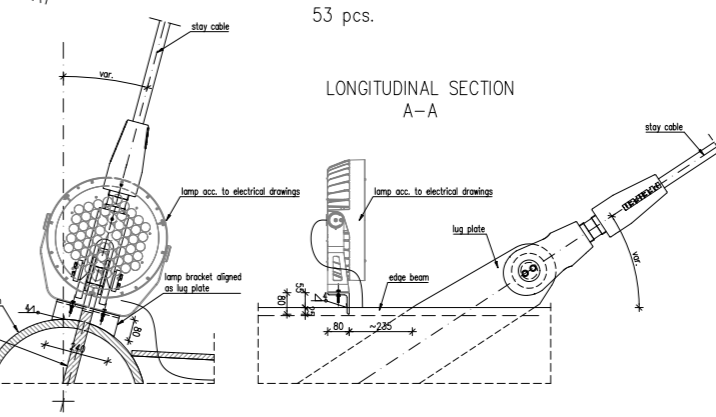
▼ POSITIONING OF THE STIFFENER RINGS, VERTICAL PLATES AND OUTER LUG PLATES



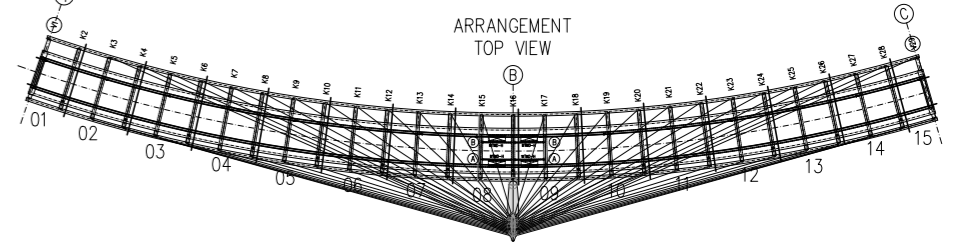
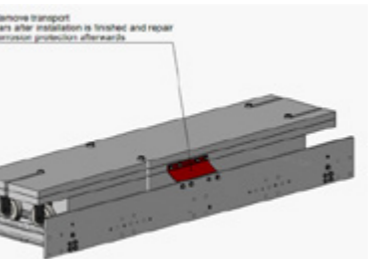
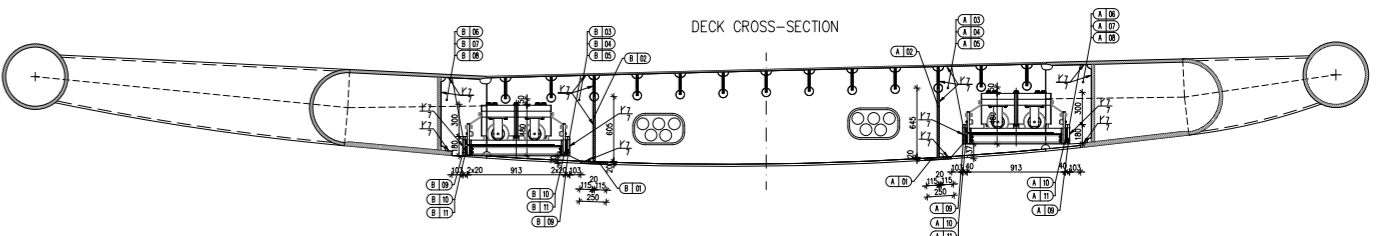
▼ STIFFENER RING AND PLATES



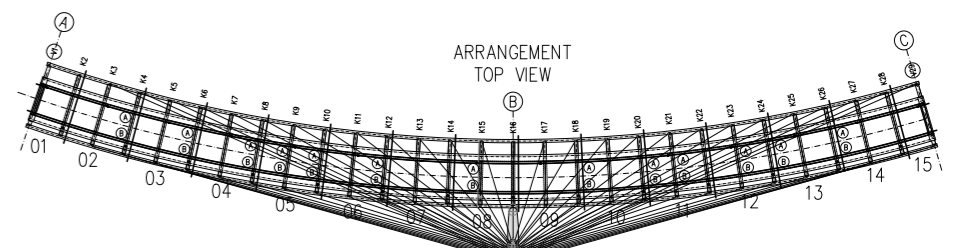
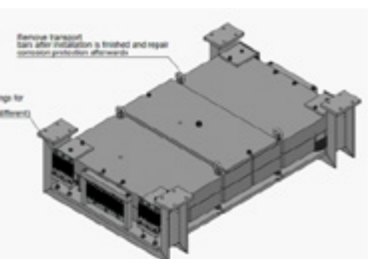
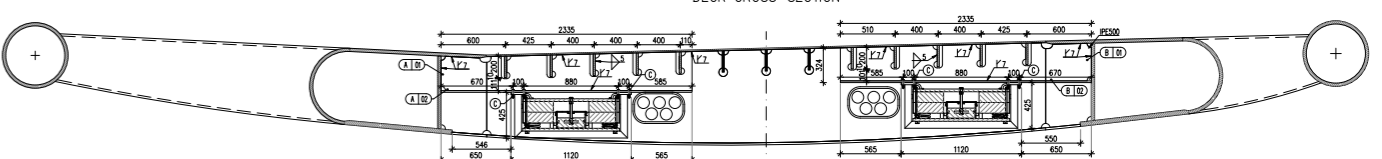
▼ DECORATIVE LIGHTING OF STAY CABLES BRACKETS



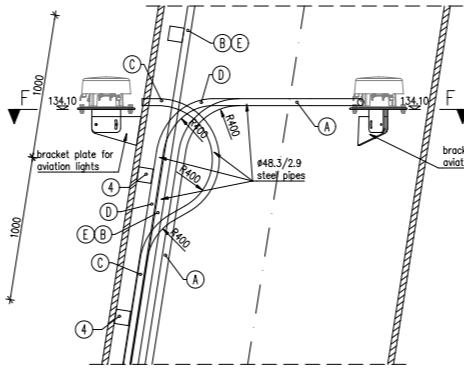
MTMD-H DAMPER SUPPORTS



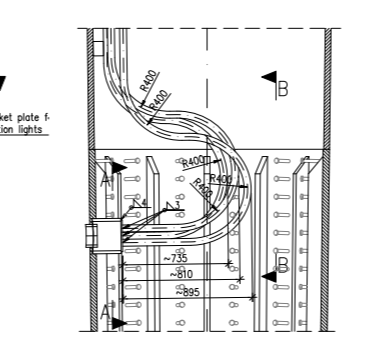
MTMD-V DAMPER SUPPORTS



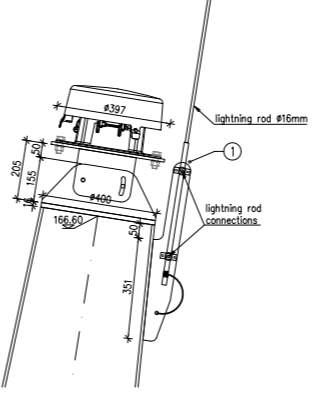
▼ UTILITY CABLE OUTLET FOR AVIATION LIGHTS



▼ UTILITY CABLE INLET AND INNER PIPES VERTICAL SECTION



▼ SIDE VIEW PYLON TOP



▼ STIFFENERS AND STUDS OF PYLON BASE

