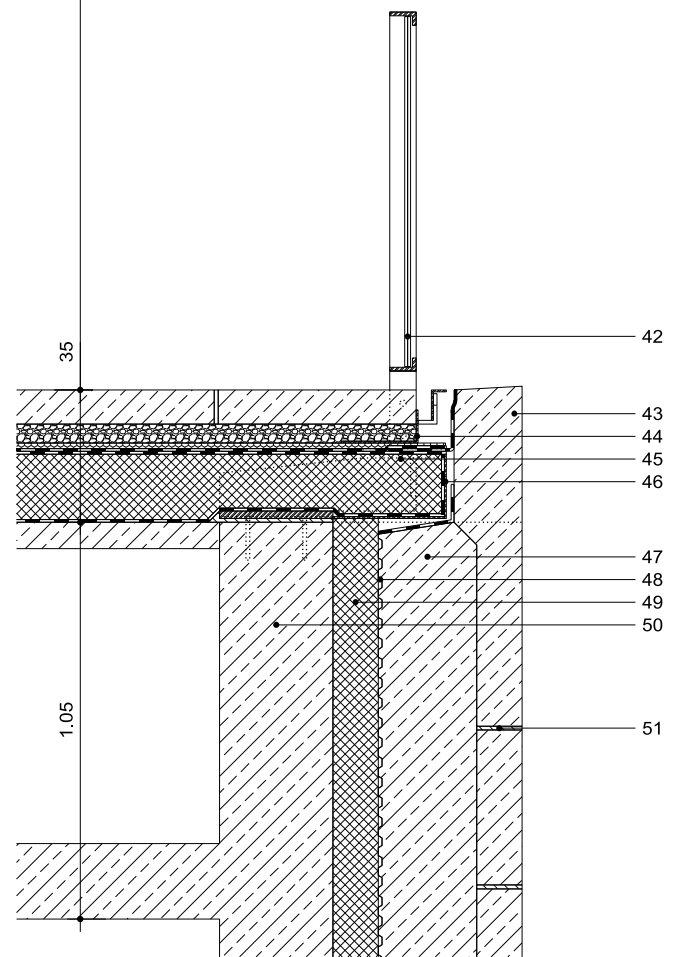
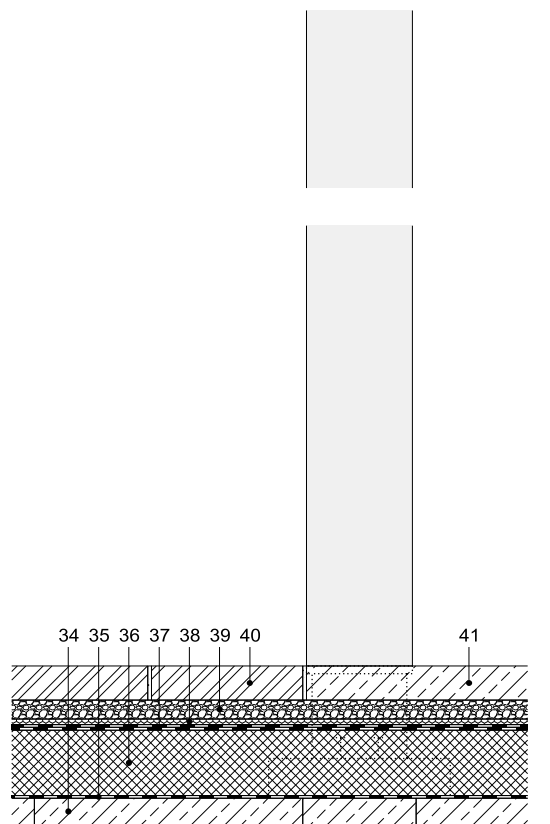
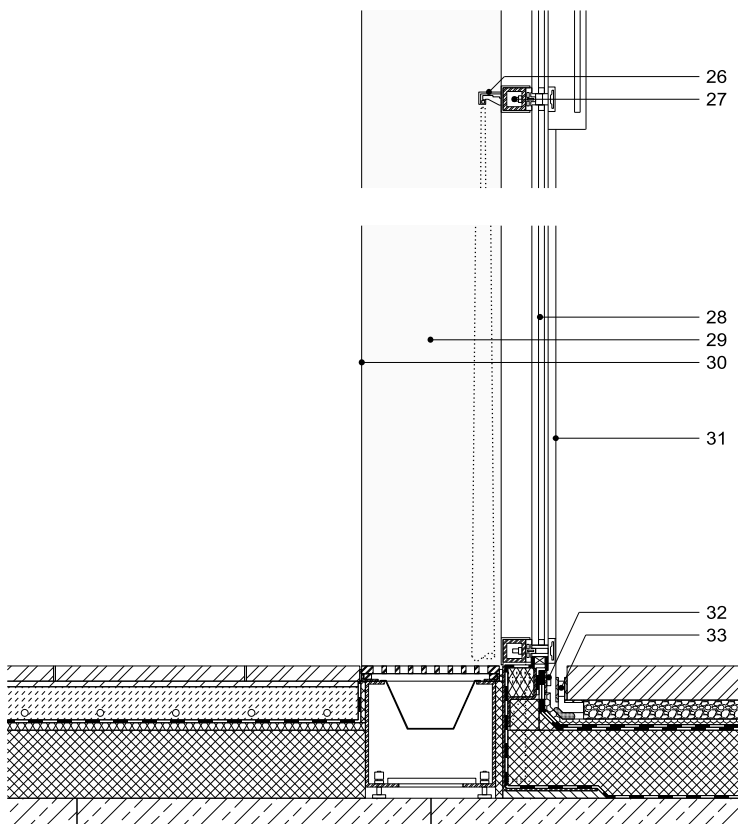


47.5
25
8.66

Façade detail scale 1:20

- 1 Moisture barrier
- 2 Tapered insulation
- 3 Two-ply polymer bitumen membrane
- 4 Rubber granulate building protection mat
- 5 Marble gravel
- 6 Precast concrete edge paver
- 7 Titanium zinc parapet flashing
- 8 Precast concrete element
- 9 Stainless steel dowel
- 10 Expansion joint
- 11 Half-precast concrete element
- 12 In-situ concrete
- 13 Recessed light fixture
- 14 Stainless steel dowel
- 15 Expansion joint
- 16 Elastomeric bearing pad
- 17 Precast concrete column 280 x 280 mm, h = 8660 mm
- 18 Moisture barrier
- 19 Permeable membrane
- 20 Textile roller blind casing
- 21 Bronze sheet metal covering
- 22 Header insulation
- 23 Steel fixings for post and beam façade
- 24 Smoke extract vent
- 25 Smoke extract grill
- 26 Curtain rail for manually operated glare protection
- 27 Hollow stainless steel profile 60 x 60 mm with glazing support brackets
- 28 Glazing, buildup (outer to inner) 1 sheet safety glass 10 mm with solar control coating, spacer 16 mm with argon fill, laminated glazing 2 sheets 8 mm partially tempered glass with 1.52 mm PVB interlayer, edge banding
- 29 Laminated glass façade profile 79.6 x 350 mm, 6 layers of 12 mm extra white float glass, PVB interlayer, polished edges
- 30 Solid bronze edge profile 82 x 8 mm
- 31 Post and beam façade fixed on stainless steel hollow section and laminated glass profile, clad in bronze sheet metal
- 32 Waterproofing attached with loose / fixed flange
- 33 Stainless steel slot drain



- 34 Hollow slab construction consisting of lower in-situ concrete ribbed slab and precast concrete top slab
- 35 Moisture barrier
- 36 Foam glass insulation
- 37 Two-ply polymer bitumen membrane
- 38 Combined building protection and drainage mat
- 39 Pea gravel
- 40 Natural stone paver, shell limestone t = 90 mm
- 41 Precast concrete paver t = 90 mm
- 42 Glazed balustrade
- 43 Wall cladding, precast concrete
- 44 Fixing angle, perforated stainless steel
- 45 Balustrade post

- 46 Fixing angle, stainless steel
- 47 Concrete fill, bonded with wall cladding
- 48 Separation layer, bossed drainage foil
- 49 Extruded polystyrene insulation
- 50 Reinforced concrete
- 51 Mortar joint
- 52 Waterproof reinforced concrete, waterproof concrete
- 53 Green concrete composite film
- 54 Rigid insulation
- 55 Sliding point bearing
- 56 In-situ concrete bracket
- 57 Green concrete composite film

